



# Inquiry Evaporator | Condenser

Fill out this PDF form conveniently on the monitor, save it to your hard drive and send it as an attachment:

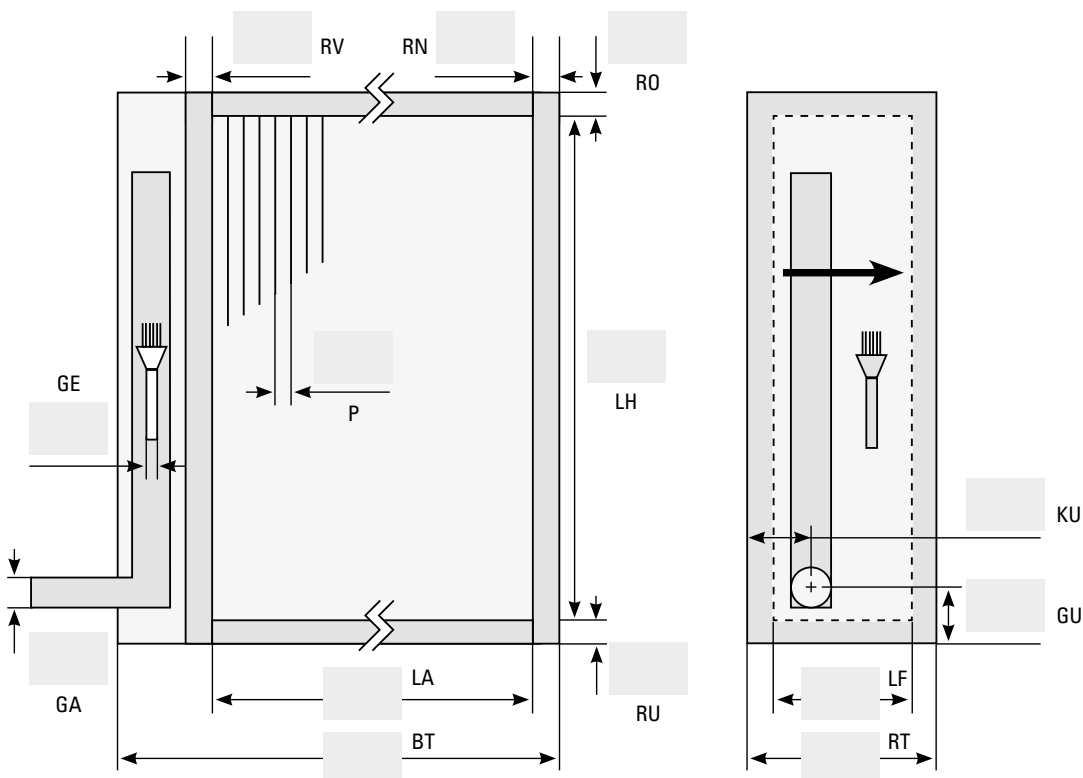
info@polarkaeltetechnik.de

Company	Postcode/City
Contact person	Phone
Adress	E-mail
Inquiry No.	Number of items

## Design data

Refrigerant	Air in $t_{l1}$ (°C)
Capacity kW	Humidity in %
Evaporation $t_0$ (°C)	Air out $t_{l2}$ (°C)
Condensation $t_c$ (°C)	Air flow m3/h
Undercooling $t_{cu}$ (°C)	Allowable pressure
	25 bar 45 bar 55 bar Others

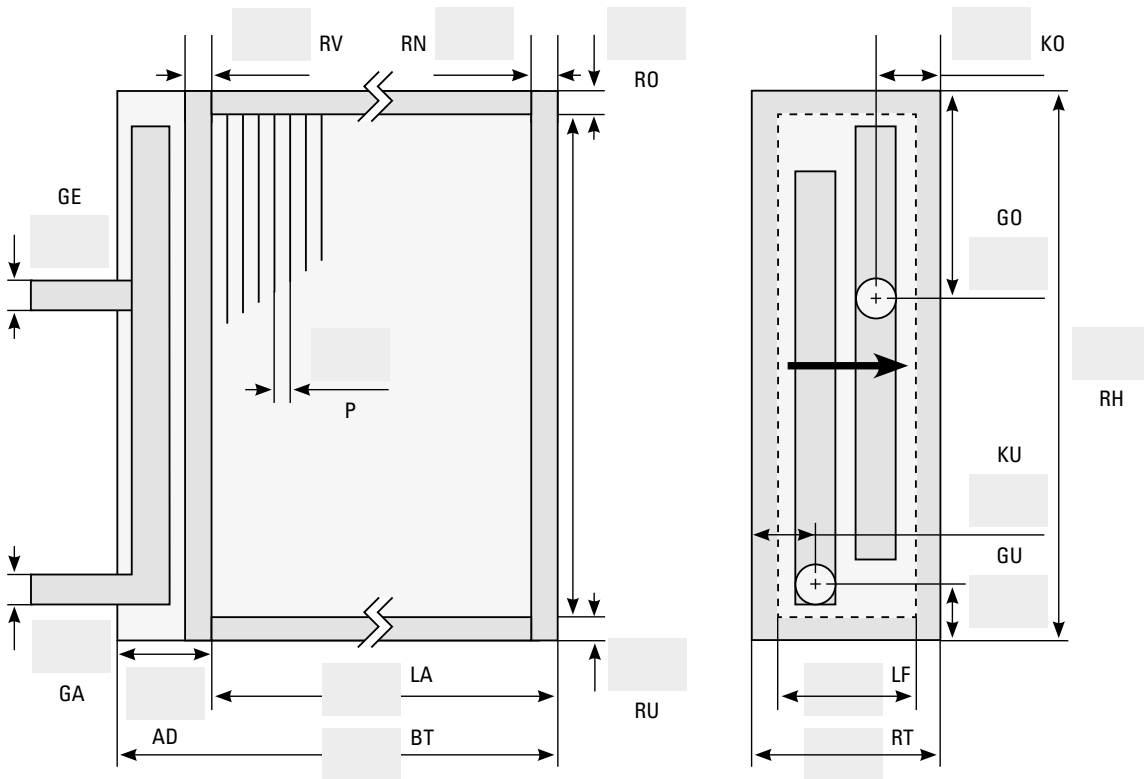
## Dimensions Evaporator (mm)



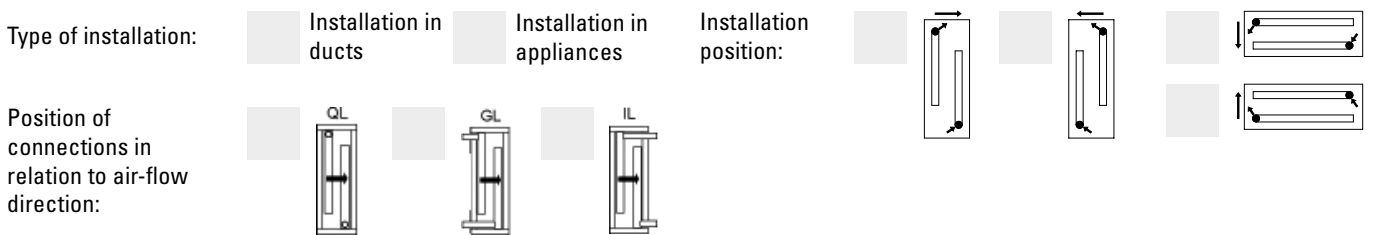
continue on page 2

# Inquiry Evaporator | Condenser

## Dimensions Condenser (mm)



## Installation



## Materials

Frame	Pipe	Lamellas	Surface
<input type="checkbox"/> mm Aluminium	<input type="checkbox"/> mm Copper	<input type="checkbox"/> Aluminium	<input type="checkbox"/> untreated
<input type="checkbox"/> mm Copper	<input type="checkbox"/> mm Tinned Copper	<input type="checkbox"/> AlMg3	<input type="checkbox"/> Powder coating RAL 7035
<input type="checkbox"/> mm Galvanized steel	<input type="checkbox"/> mm Stainless steel	<input type="checkbox"/> Al-Epoxy	<input type="checkbox"/> Powder coating RAL 9005
<input type="checkbox"/> mm Stainless steel		<input type="checkbox"/> Copper	<input type="checkbox"/> Nano-tec coating



# Inquiry Evaporator | Condenser

## Connections

---

Material	<input type="checkbox"/> Copper	<input type="checkbox"/> Stainless steel							
DN	<input type="checkbox"/> 27	<input type="checkbox"/> 34	<input type="checkbox"/> 43	<input type="checkbox"/> 49	<input type="checkbox"/> 61	<input type="checkbox"/> 77	<input type="checkbox"/> 89		
SF-Cu Ø	<input type="checkbox"/> 15	<input type="checkbox"/> 18	<input type="checkbox"/> 22	<input type="checkbox"/> 28	<input type="checkbox"/> 35	<input type="checkbox"/> 42	<input type="checkbox"/> 54	<input type="checkbox"/> 76	<input type="checkbox"/> 89

## Accessories

---

<input type="checkbox"/> Droplet separator	<input type="checkbox"/> Drip tray	<input type="checkbox"/> Electric defrost
--	------------------------------------	---